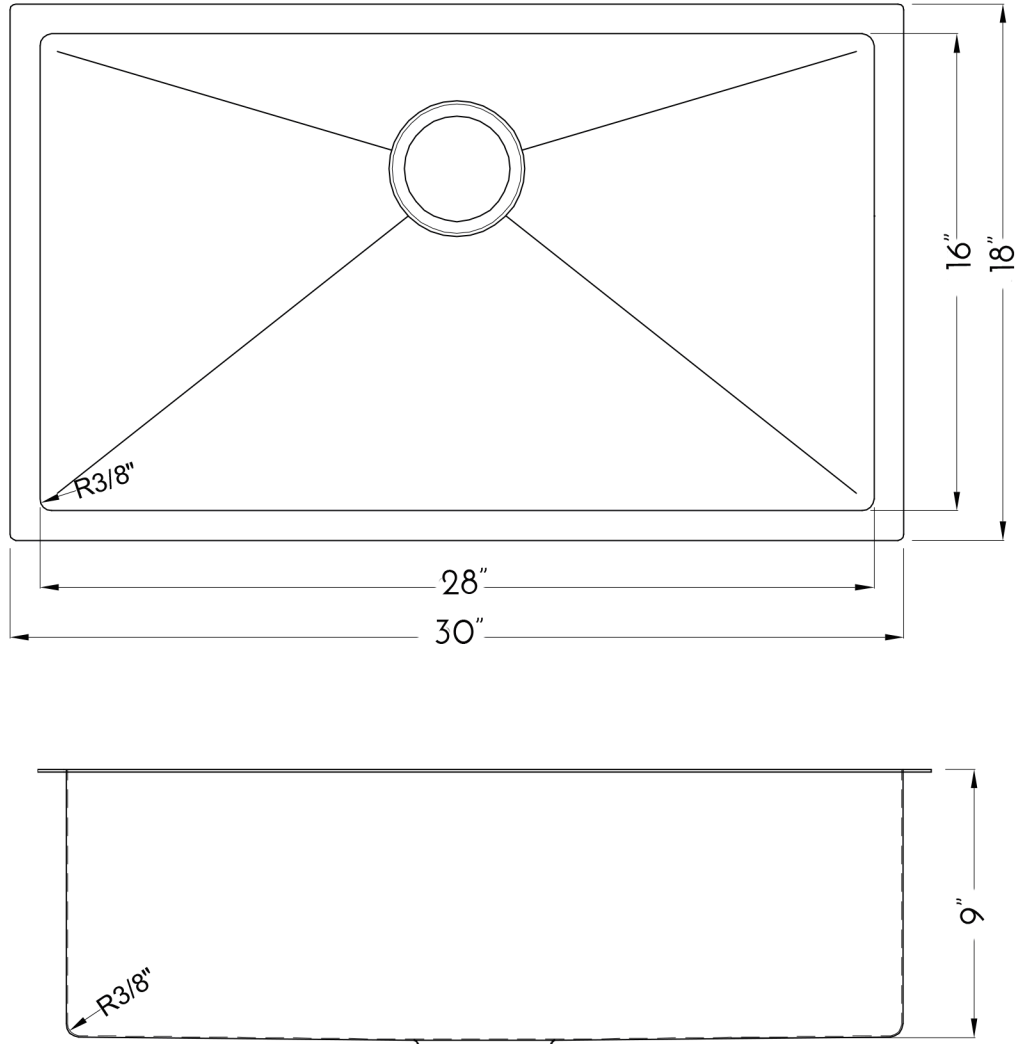




DAX-NB3018-R10



UNDERMOUNT KITCHEN SINKS **SERIES**



FEATURES

- 304 Stainless Steel
- 18 Gauge
- Nano Black Finish
- Single Bowl
- Sound Dampening
- Undermount Installation

ACCESSORIES

- Strainer (included)
- Wooden Cutting Board (included)
- Bottom Grid (included)

**KITCHEN SINK DAX-NB3018-R10**

OVER ALL SINK SIZE (in)	30" x 18" x 9"
INNER BASIN WIDTH (in)	16"
INNER BASIN LENGHT (in)	28"
LENGHT	28"
DEPTH	9"
WIDTH	18"
BOTTOM GRIDS INCLUDED	Yes
BASIN SPLIT	No
BASKET STRAINER INCLUDED	Yes
COLANDER INCLUDED	No
DRAIN CONNECTION	X
DRAIN PLACEMENT	Rear
FARM HOUSE	No
FAUCET HOLES	No
GAUGE	18g
INSTALATION TYPE	Undermount
MATERIAL	304 Stainless Steel
MINIMUM CABINET SIZE	X
MOUNTING HARDWARE INCLUDED	Yes
NUMBER OF BASINS	One
PRODUCT WEIGHT	15.56 lb
SINK SHAPE	Rectangular
SOUND DAMPENING	Yes
STAINLESS STEEL GRADE	304
UPC APPROVED	No
SINK FINISH TYPE	Nano Black

For parts or sale requirements
please contact our customer service department:



CS@daxib.com



1 888 685 8236